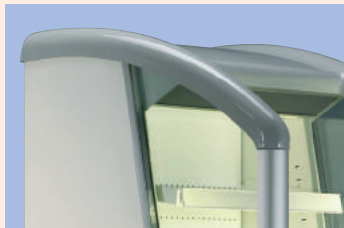




Flexible branding & colouring

Easily changeable side branding can give you convenience to change the outlook or even the brand quickly between campaigns.



Design in function

The attractive and modern compact design symbolizes freshness, accessibility and function in place.



Control electronics

Electronic control unit with a digital display of temperature for constant cooling. Presenter 06 tested, evaluated and modified to perfection. The control electronics helps to ensure the best performance with minimized energy use.



Mobility

Quick positioning or re-positioning offers variety in furnishing different stores of yours.



Powerful, compact and efficient

The compact Presenter 06S is ideal for high traffic areas and for easy placement next to cash desks. Castor wheels ensures portability and effortless replacement, and customized colours on base elements or plastic parts provide outstanding appeal. Presenter 06S offers easy accessibility together with variable merchandising opportunities. Versatile branding and branded price-rails give marketing opportunities even for non-refrigerated display merchandisers. Presenter 06S is an ideal display for impulse purchases (energy drinks, soft drinks, sandwiches, chocolate).

Carrier Commercial Refrigeration offices

Europe

Austria

Carrier Kältetechnik Austria Ges.m.b.H.
1232 Vienna-Inzersdorf
Phone +43 1 661 04 0

Belgium

Carrier Refrigeration Belgium
Branch of Carrier Refrigeration Benelux B.V.
2627 Schelle
Phone +32 3 231 50 93

Croatia

Carrier Kältetechnik Austria Ges.m.b.H.
Glavna podružnica Zagreb
10000 Zagreb
Phone +385 1 2484 000

Czech Republic

Carrier chladičí technika CZ s.r.o.
190 00 Prague 9
Phone +420 281 095 111

Denmark

Carrier Refrigeration Denmark A/S
8260 Viby J
Phone +45 86 55 02 55

Finland

Carrier Oy
FI-01610 Vantaa
Phone +358 9 61 31 31

France

Carrier Refrigeration Distribution France SAS
94100 St Maur des Fossés
Phone +33 1 43 97 61 00

Germany

Carrier Kältetechnik Deutschland GmbH
50999 Cologne
Phone +49 2236 601 01

Greece

Carrier Frigel Apostolou SA
10442 Athens
Phone +30 210 5193000

Hungary

Carrier Hűtőtechnikai Forgalmazó
Magyarország Kft./Carrier Refrigeration
Distribution Hungary Ltd.,
1037 Budapest
Phone +36 1 437 05 10

Italy

Carrier Refrigeration Distribution Italy SpA
20090 Buccinasco (Milan)
Phone +39 02 488 675 1

Netherlands

Carrier Refrigeration Benelux B.V.
h.o.d.n. Carrier Bedrijfskoeling
4104 AW Culemborg
Phone +31 345 544 444

Norway

Carrier Refrigeration Norway AS
0668 Oslo
Phone +47 23 37 58 40

Poland

Carrier Chłodnictwo Polska Sp. z o.o.
02-676 Warsaw
Phone +48 22 54 40 100

Portugal

Carrier Portugal Lda.
2790-072 Carnaxide
Phone +351 21 424 99 00

Romania

Carrier chladičí technika CZ s.r.o. Praga
Sucursala Bucuresti
021805 Bucharest
Phone +40 212 50 20 60

Russia

Carrier Refrigeration Rus
109240 Moscow
Phone +7 495 933 11 75

Slovakia

Carrier chladiaca technika Slovakia s.r.o.
949 07 Nitra
Phone +421 377 764 011

Slovenia

Carrier Kältetechnik Austria Ges.m.b.H.
Podružnica Ljubljana
1000 Ljubljana
Phone +386 1 2425 523

Spain

Carrier Refrigeración Ibérica SA
08036 Barcelona
Phone +34 93 4527 184

Sweden

Carrier Refrigeration Sweden AB
213 76 Malmö
Phone +46 771 33 00 99

Switzerland

Carrier Kältetechnik Schweiz AG
4133 Pratteln
Phone +41 61 816 66 66

United Kingdom & Ireland

Carrier Refrigeration UK Ltd.
OX4 6LB Oxford
Phone +44 1 865 337 700

Asia & South America

China - CCR Asia HQ

Shanghai 200003
Phone: +86 21 2306 3000

China

Qingdao Haier-Carrier Refrigeration
Equipment Co. Ltd.
Qingdao 266000
Phone: +86 532 8893 8616

Hong Kong

Kowloon
Phone +85 2 2694 5333

India

Carrier Airconditioning and Refrigeration Ltd.
Gurgaon, Harayana 122001
Phone +91 124 482 55 00

Indonesia

Jakarta City
Phone +622 1 5789 5912

Korea

Songdo, Incheon
Phone +82 32 835 6135

Malaysia

47610 Subang Jaya, Selangor Darul Ehsan
Phone +603 802 477788

Middle East

Dubai, United Arab Emirates
Phone +971 4 2368620

Singapore

Singapore 608926
Phone +65 6567 5522

Taiwan

Taipei City
Phone +886 2 28811800

Thailand

Bangkok 10510
Phone +66 2 517 2000

Vietnam

Ho Chi Minh City
Phone +84 8 3931 4700

South America

Phone +1 954 299 0418

www.carrier-refrigeration.com



Presenter 06 Presenter 06 S

Flexible presentation space for unique and dynamic operators



Available with natural refrigerant
Ergonomic design
Low energy consumption



CL-EC-211-GB-011 | The manufacturer reserves the right to change the product specifications without notice.



Flexible presentation for dynamic retailers

A Presenter06 has a pleasant and modern design which can be easily positioned at the cash desk. Its quick accessibility enhanced by LED lighting and the optional changeable side and price-rail branding ensures immediate customer response. R290 refrigerant provides additional value-added options including the energy-saving night blind unit. Overall, it combines the design and economical values for the widest product range displayed in a compact way.

Advantages

- Attractive, modern design
- Easy accessibility
- Open side walls combined with vertical lighting provides better product visibility
- Eco friendly

Presenter 06 range overview

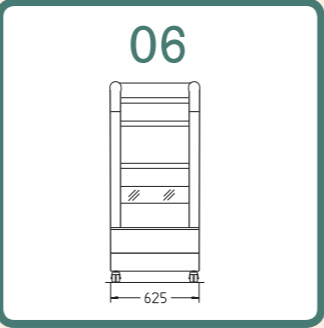
Variations

Chiller

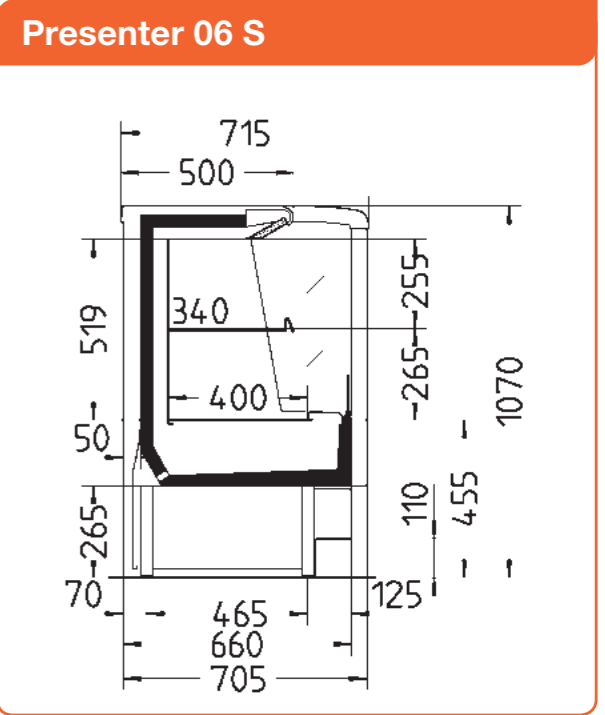
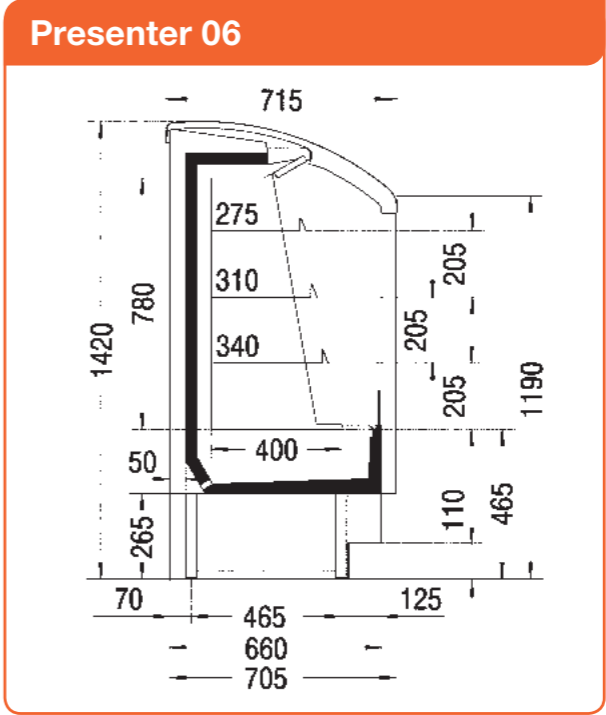
LED

EC Fan*

R290



* only with R290



Clearly arranged presentation of goods on four levels, three display shelves are adjustable in height and inclination

Energy-saving drip water evaporation using waste heat from the refrigerating system

Seasonal ideas
Spring: Colourful Easter eggs, spring herbs or yoghurt drinks
Summer: Soft drinks, 'Smoothies' or antipasti
Autumn: New wines or pies
Winter: Cheese fondue, convenience biscuit dough or sparkling wine

Vertical lighting for the best view of goods; optionally available with factory-fitted LED lighting too

Easier access to the goods by means of a recessed plinth

R 404 A or R 290 refrigerant and pentane foaming agent in the insulation eliminates any harmful effect on the ozone layer



Changeable side wall branding | Side wall rack | Bumper | Top basket



Decorated front side | Price rail | Night blind available in both versions

		Presenter 0646	Presenter 0647	Presenter 0646 S	Presenter 0647 S
Length including side panels	(mm)	625	625	625	625
Depth	(mm)	715	715	715	715
Height	(mm)	1420	1420	1070	1070
Total display shelf area	(m ²)	0.74	0.74	0.40	0.40
Temperature range	(°C)	0...+8	0...+8	0...+8	0...+8
Ambient conditions		25°C / 60% rel. hum.	25°C / 60% rel. hum.	25°C / 60% rel. hum.	25°C / 60% rel. hum.
Operating voltages and frequency	(V / Hz)	230 / 50	230 / 50	230 / 50	230 / 50
Refrigerant		R 404 A	R290	R 404 A	R290