

Freshness you can see

Refrigerated island AIB..45 S

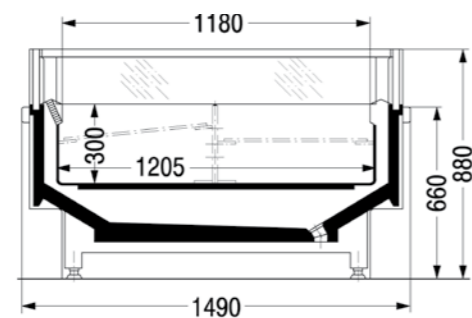
AIB type islands are wide refrigerated islands for small shop layouts that have a classic design. They allow ultrafresh products to be presented with a strong focus on sales even in limited space. What is more, they offer an excellent overview of products and a 180 mm high wrap-around window, for easy product viewing.

Accessories

- Partially glazed side walls
- Island insert with illuminated displays
- Sliding glass panels
- Night-covers (for open models)
- Colored bumpers
- Height-adjustable grid displays and product separator grilles
- Grid covers in stainless steel

Features at a glance

- Large presentation area
- Excellent product visibility
- 180 mm wrap-around glazing
- 300 mm stacking height
- Safe, cost-efficient refrigeration technology
- Strong sales-focused presentation of products
- Classic refrigeration island design
- With optional sliding glass panels



AIB..45 S



AIB 0645 S

Refrigerated island	AIB ..45 S	
Standard lengths	04	06
Length, excluding side walls	[mm]	2500 3750
Length, including side walls (each 105 mm)	[mm]	2710 3960
Display area	[m ²]	3,0 4,5
Cubic capacity, liters net	[L]	910 1360
Temperature ranges*	[C°]	0 ... 2 / 2 ... 4
Operating voltage	[V/Hz]	230 / 50

* depending on refrigeration machine assignment

Carrier Commercial Refrigeration offices

Europe

Austria

Carrier Kältetechnik Austria Ges.m.b.H.
1232 Vienna-Inzersdorf
Phone +43 1 661 04 0

Belgium

Carrier Refrigeration Belgium
Division of Carrier Refrigeration Benelux B.V.
1070 Anderlecht
Phone +32 3 231 50 93

Bulgaria

Carrier Hladilna Tehnica Klon Bulgaria
1680 Sofia
Phone +359 2 89 26 000

Croatia

Carrier Kältetechnik Austria Ges.m.b.H.
Glavna podružnica Zagreb
10000 Zagreb
Phone +385 1 2484 000

Czech Republic

Carrier chladicí technika CZ s.r.o.
190 00 Prague 9
Phone +420 281 095 111

Denmark

Carrier Refrigeration Denmark A/S
8260 Viby J
Phone +45 86 55 02 55

Finland

Carrier Oy
01610 Vantaa
Phone +358 9 61 31 31

France

Carrier Refrigeration Distribution France SAS
94100 St Maur des Fossés
Phone +33 1 43 97 61 00

Germany

Carrier Kältetechnik Deutschland GmbH
50999 Cologne
Phone +49 2236 601 01

Greece

Carrier Frigel Apostolou SA
10442 Athens
Phone +30 210 5193000

Hungary

Carrier Hűtőtechnika Forgalmazó
Magyarország Kft./Carrier Refrigeration
Distribution Hungary Ltd.
1037 Budapest
Phone +36 1 437 05 10

Italy

Carrier Refrigeration Distribution Italy SpA
20090 Buccinasco (Milan)
Phone +39 02 488 675 1

Netherlands

Carrier Refrigeration Benelux B.V.
4104 AW Culemborg
Phone +31 345 544 444

Norway

Carrier Refrigeration Norway AS
0668 Oslo
Phone +47 23 37 58 40

Poland

Carrier Chłodnictwo Polska Sp. z o.o.
02-676 Warsaw
Phone +48 22 54 40 100

Portugal

Carrier Portugal Lda.
2790-072 Carnaxide
Phone +351 21 424 99 00

Romania

Carrier chladicí technika CZ s.r.o. Praga
Sucursala Bucuresti
023828 Bucharest
Phone +40 212 500 449

Russia

Carrier Refrigeration Rus
109240 Moscow
Phone +7 495 933 11 75

Slovakia

Carrier chladiaca technika Slovakia s.r.o.
949 07 Nitra
Phone +421 377 764 011

Slovenia

Carrier Kältetechnik Austria Ges.m.b.H.
Podružnica Ljubljana
1000 Ljubljana
Phone +386 1 2425 523

Spain

Carrier Refrigeración Ibérica SA
08036 Barcelona
Phone +34 93 4527 184

Sweden

Carrier Refrigeration Sweden AB
422 43 Göteborg
Phone +46 771 33 00 99

Switzerland

Carrier Kältetechnik Schweiz AG
4133 Pratteln
Phone +41 61 816 66 66

United Kingdom & Ireland

Carrier Refrigeration UK Ltd.
OX4 6LB Oxford
Phone +44 1 865 337 700

Asia & Middle East

China - CCR Asia HQ

Shanghai 200001
Phone +86 21 23063000

China

Qingdao Haier-Carrier Refrigeration
Equipment Co. Ltd.
Qingdao 266103
Phone +86 532 88938638

Hong Kong & Macau

Kowloon
Phone +852 26945792

India

Carrier Airconditioning and Refrigeration Ltd.
Gurgaon, Harayana 122001
Phone +91 124 482 5500

Indonesia

Jakarta Pusat 10650
Phone +622 1 42878733

Korea

Songdo, Incheon
Phone +82 32 835 6135

Malaysia

46710 Subang jaya, Selangor Darul Ehsan
Phone +603 802 477788

Middle East

Dubai, United Arab Emirates
Phone +971 4 2368620

Singapore

Singapore 608926
Phone +65 6567 5522

Taiwan

Taipei City
Phone +886 2 27975567722

Thailand

Bangkok 10510
Phone +66 2 517 2000

Vietnam

Ho Chi Minh City
Phone +84 8 3931 4700

Hanoi

Phone +84 4 3824 7684

Other Global Offices

Latin America & Caribbean

Phone +1 954 299 0418

www.carrier-refrigeration.com
www.carrier.com



CHILLED and FROZEN FOOD ISLANDS

AIB / AIT

Ice-cool merchandising



Large presentation area

Ergonomically optimized access

Excellent product visibility

Ref. No. ML-GF-606-GB-0613 | The manufacturer reserves the right to change the product specifications without notice.

Promote and Encourage Sales

Frozen food island AIB..75/85

Frozen food island AIB..75/85 S

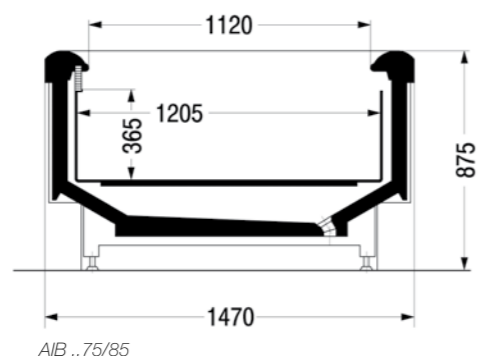
The AIB 1.5 m wide frozen food island has been specially designed for shops with a limited floor area. A long, open customer contact area presents the goods with a strong focus on sales promotion. A classic island design helps to expand and heighten the profile of chilled goods.

Accessories

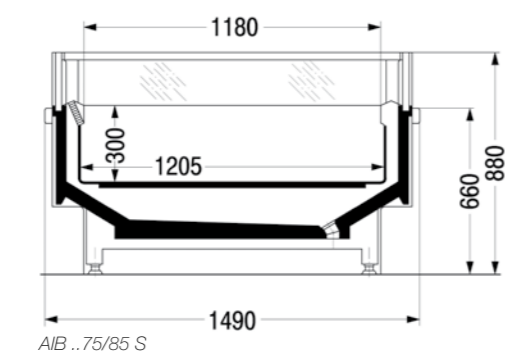
- Partially glazed side walls (AIB)
- Single-level or two-level island inserts with illuminated displays
- Handrail lighting (T5 light or LED)
- Energy-saving kit with sliding glass panels (AIB S)
- Height adjustable grid displays and product separation grilles
- Night covers
- Colored bumpers

Features at a glance

- Large presentation area
- 180 mm wrap-around glazing (model: AIB ..75/85 S)
- Stacking height 300 or 365 mm
- Ergonomically optimized access
- Eco-friendly halogen-free insulation
- Energy-saving evaporator system
- Classic frozen food island design



AIB ..75/85



AIB ..75/85 S

Clear view of the full product range

Frozen food island AIB..75/85 M GH 370

Frozen food island AIB..75/85 M GH 410

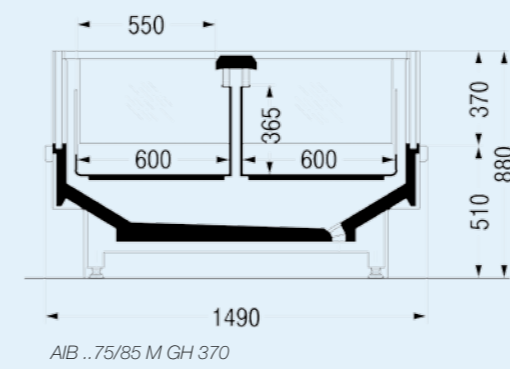
The optimum dimensions of the AIB..M frozen food island makes perfect use of the shop floor space. A generous wrap-around window allows the products to be seen clearly even at a distance. The ergonomically optimized product area makes it easy for customers to select products.

Accessories

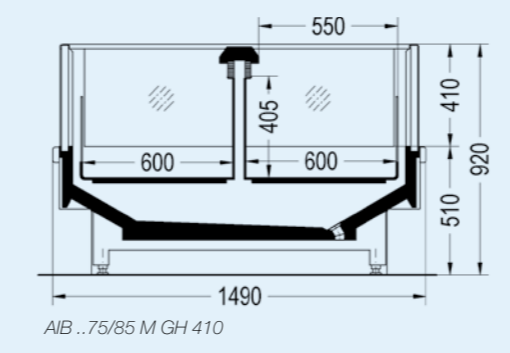
- Optional 410 mm wrap-around window
- Glazed panoramic side walls
- Island insert with illuminated displays
- Handrail lighting (T5 light or LED)
- Energy-saving kit with glass sliding panels
- Height adjustable grid displays and product separation grilles
- Night covers
- Coloured bumpers

Features at a glance

- High product density
- Ergonomically designed, easy-to-reach goods display
- Ice-cool freshness, with a focus on sales promotion
- Good visibility through 370 mm or 410 mm wrap-around glazing
- 360 mm or 410 mm stacking height
- Customer-friendly price labels on the middle rail
- Classic frozen food island design



AIB ..75/85 M GH 370



AIB ..75/85 M GH 410

Frozen foods galore

Frozen food island AIT..75

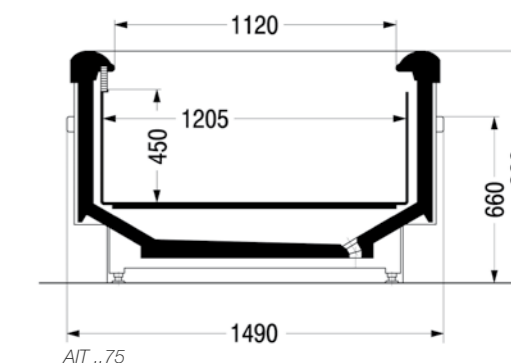
A feature sure to impress price-conscious customers. An enormous goods volume of around 550 liters per linear meter is one of the strengths of the AIT frozen food island. Designed for shops with limited floor space, this 1.5 m island offers a rugged and classic design.

Accessories

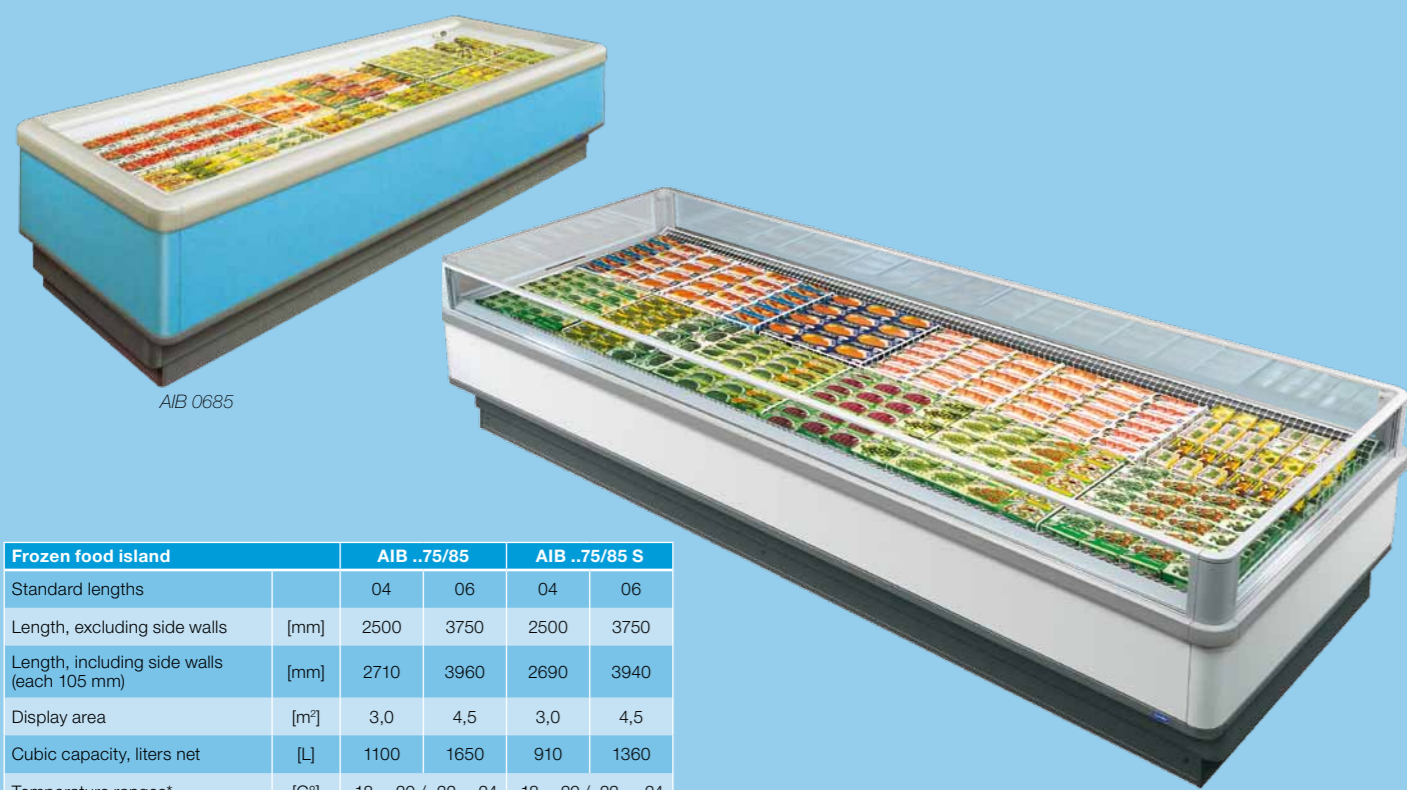
- Night covers
- Island insert, single-level or two-level with illuminated displays
- Height adjustable grid displays and product separation grilles
- Colored bumpers

Features at a glance

- Large volume of goods with a small island floor area
- Ergonomically designed, easy-to-reach goods display
- Enormous 450 mm stacking height
- Low energy consumption
- Eco-friendly halogen-free insulation
- Rugged, classic frozen food island design



AIT ..75

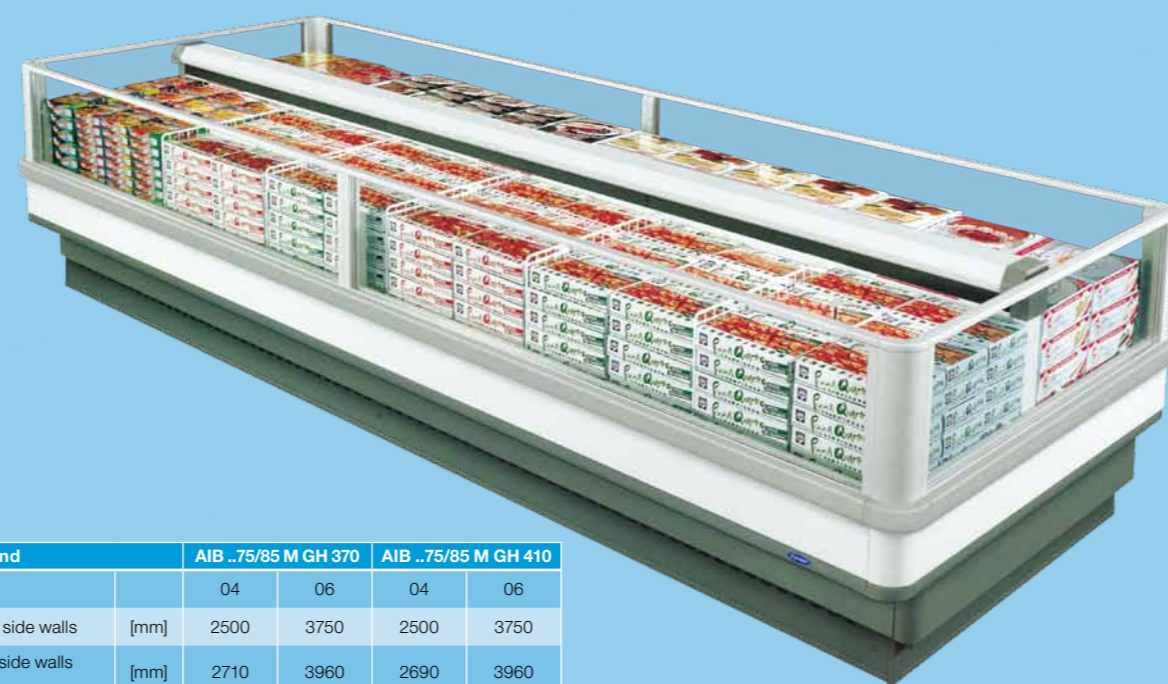


AIB 0685

AIB 0685 S

Frozen food island	AIB ..75/85		AIB ..75/85 S		
Standard lengths	04	06	04	06	
Length, excluding side walls	[mm]	2500	3750	2500	3750
Length, including side walls (each 105 mm)	[mm]	2710	3960	2690	3940
Display area	[m²]	3,0	4,5	3,0	4,5
Cubic capacity, liters net	[L]	1100	1650	910	1360
Temperature ranges*	[C°]	-18...-20 / -22...-24		-18...-20 / -22...-24	
Operating voltage	[V/Hz]	230 / 50		230 / 50	

* depending on refrigeration machine assignment



AIB 0685 M GH 370

Frozen food island	AIB ..75/85 M GH 370		AIB ..75/85 M GH 410		
Standard lengths		04	06	04	06
Length, excluding side walls	[mm]	2500	3750	2500	3750
Length, including side walls (each 105 mm)	[mm]	2710	3960	2690	3960
Display area	[m²]	3,0	4,5	3,0	4,5
Cubic capacity, liters net	[L]	1080	1620	1215	1823
Temperature ranges*	[C°]	-18...-20 / -22...-24		-18...-20 / -22...-24	
Operating voltage	[V/Hz]	230 / 50		230 / 50	

* depending on refrigeration machine assignment



Frozen food island	AIT ..75		
Standard lengths		04	06
Length, excluding side walls	[mm]	2500	3750
Length, including side walls (each 105 mm)	[mm]	2650	3900
Display area	[m²]	3,0	4,5
Cubic capacity, liters net	[L]	1360	2040
Temperature ranges*	[C°]	-18...-20	
Operating voltage	[V/Hz]	230 / 50	